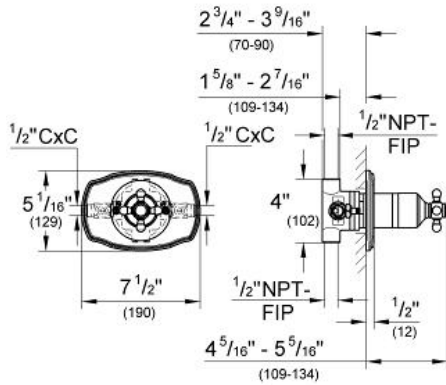


GENEVA
 Pressure Balance Valve Trimset
 MODEL # 19725EN0

Pure Freude an Wasser



GROHE America, Inc | 200 North Gary Avenue, Suite G, Roselle, IL 60172
 Phone: +1 (800) 444-7643 | Fax: +1 (800) 225-2778 | us-customerservice@grohe.com



Product Description:
 Pressure Balance Valve Trimset

- Standard Specification:**
- Escutcheon with wall sealing
 - For matching handle caps to replace the standard white caps see item (45 953)
 - **GROHE StarLight** finish
 - For use with Grohsafe Rough-In Valve (35 015)

- Applicable Codes & Standards:**
- Energy Policy Act of 1992
 - ASME A112.18.1/CSA B125.1

Color:
 19725EN0 Brushed Nickel